

LEA (Lightweight Ecological Absorbent)

ACOUSTIC PANELS



INSTALLATION GUIDE

INDEX

1. IMPORTANT NOTE	3
2. PRECAUTIONS.....	3
3. INTRODUCTION	3
4. BOX CONTENT.....	4
5. INSTALLATION.....	4
5.1. 60x60x2 y 120x60x2 panels (wall and false ceilings installation)	4
5.1.1. False ceiling installation	4
5.1.2. Wall installation – individual panel.....	6
5.1.3. Wall installation – compositions	7
5.2. Ø100x4 panels (ceiling installation).....	9
5.2.1. ceiling bracket installation.....	9
5.2.2. Panel to bracket installation	11
5.2.3. Ceiling-mounted by using METALDISK15 (optional).....	13
6. TECHNICAL CHARACTERISTICS	14
6.1. LEA 602.....	14
6.2. LEA 1202.....	14
6.3. LEA 1004.....	15

1. IMPORTANT NOTE

Congratulations. You now own the result of a well-designed, carefully produced manufacture. We thank you for your trust by having chosen our LEA (Lightweight Ecological Absorbent) Acoustic Panels.

2. PRECAUTIONS

- Read these instructions
- Keep these instructions
- Pay attention to all the warnings
- Follow all the instructions
- Install following the manufacturer's instructions
- Only use the accessories specified by the manufacturer.
- In the event of any repair, contact a qualified technical service.

3. INTRODUCTION

LEA (Lightweight Ecological Absorbent) is an acoustic panel made of recycled material (PET) with a high absorption performance in medium and high frequencies. Its acoustic properties ensure a significant reduction of the room reverberation time that reflects to a better acoustic comfort. LEA panels can be installed in a false ceiling or attached to the wall with included adhesive stripes. This acoustic panels can be managed easily without tools and cleaned up whenever is needed.

POINTS OF VIEW collection, designed in collaboration with **Luis Eslava**, has been specially created to achieve acoustic comfort, better speech intelligibility, reduced hearing fatigue, acoustic treatment for listening to music, and so on. Its acoustic qualities ensure a high absorption of medium and high frequencies, in addition to a quick installation, either glued to the wall or suspended from the ceiling.

4. BOX CONTENT

LEA 602	LEA 1202	LEA 1004
8 Acoustic Panels		4xAcoustic Panels
16xWooden Strips		4xWhite Wooden Base
16x Adhesive Strips	16x Adhesive Strips	4xScrew M4x25
		16xCables
		16xSafe Terminal

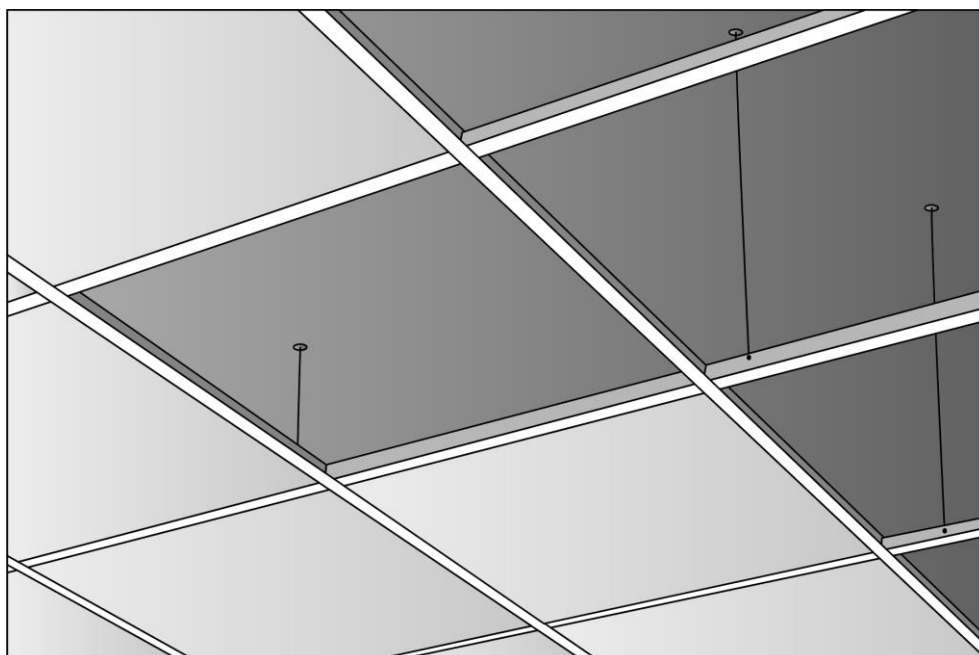
5. INSTALLATION

IMPORTANT NOTE: The LEA 60x60x2 and 120x60x2 cm panels are designed to be installed on false ceilings or walls, using the included accessories. Follow these instructions to get a satisfactory result. For another installation method not described in the installation guide please contact your supplier, distributor or complete the contact form on our website, in [Support / Technical requests](#).

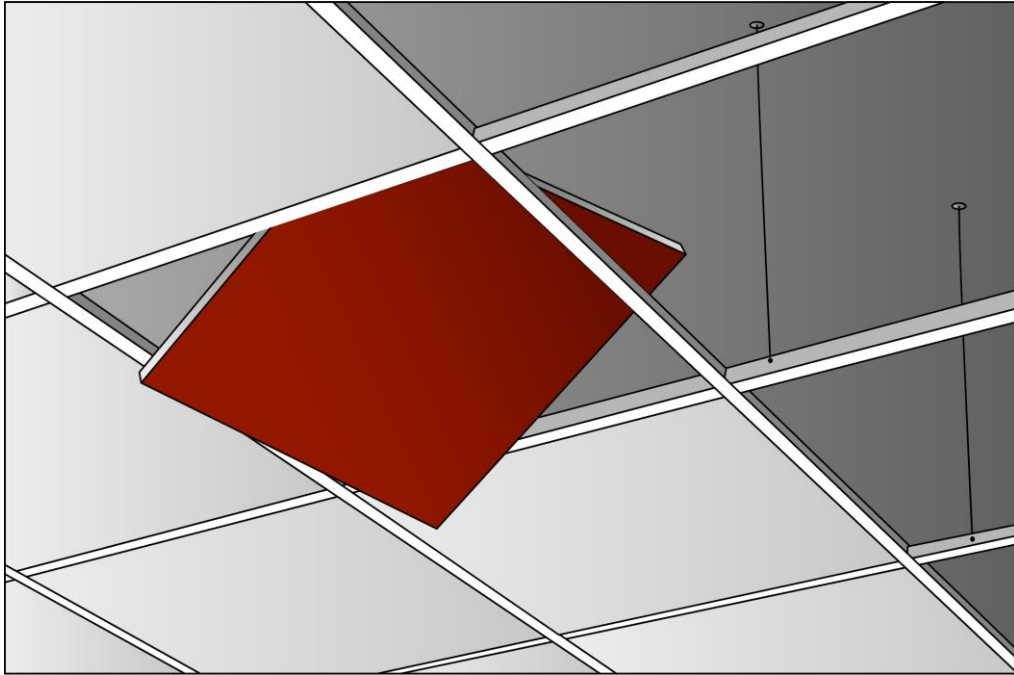
5.1. 60x60x2 y 120x60x2 panels (wall and false ceilings installation)

5.1.1. False ceiling installation

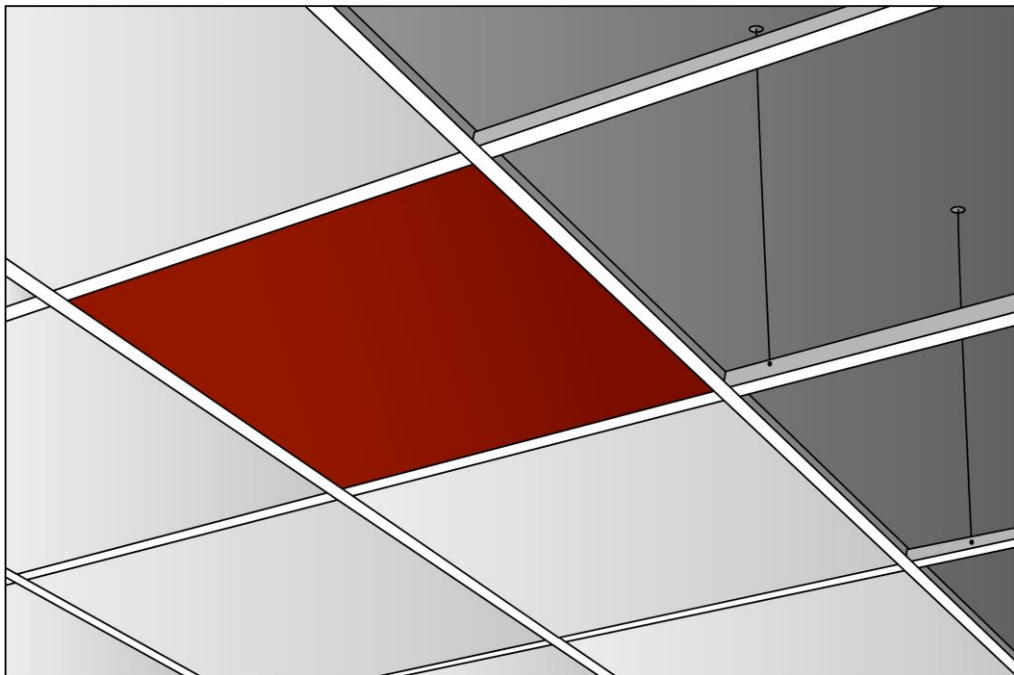
1. Remove the old panels



2. Place the acoustic panels taking care not to damage the edges with the false ceiling structure

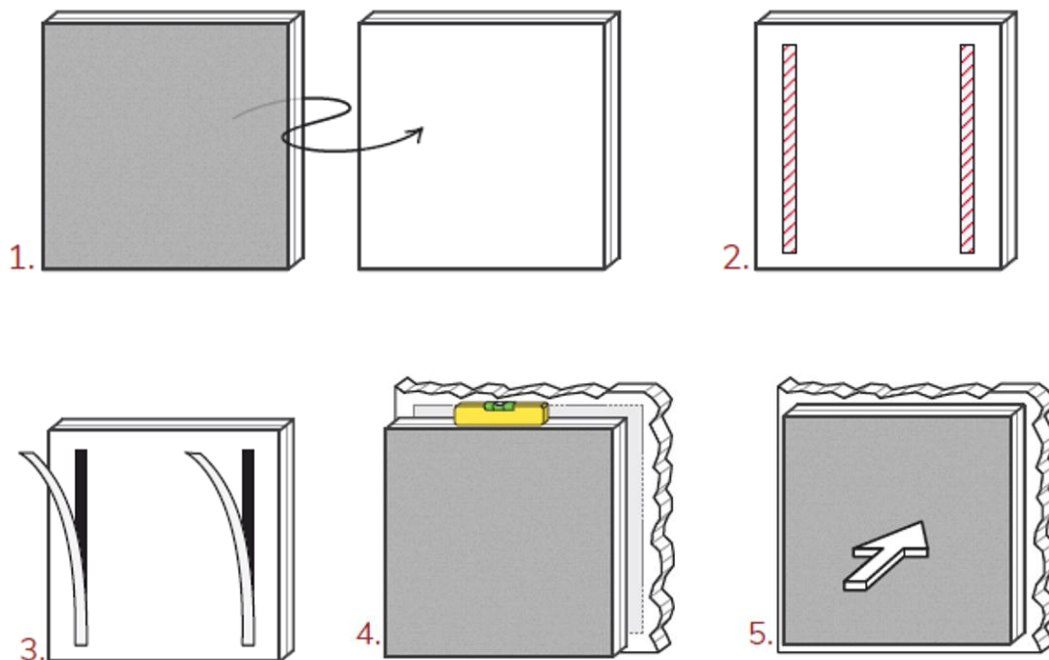


3. Make sure the panels are well placed in the false ceiling structure

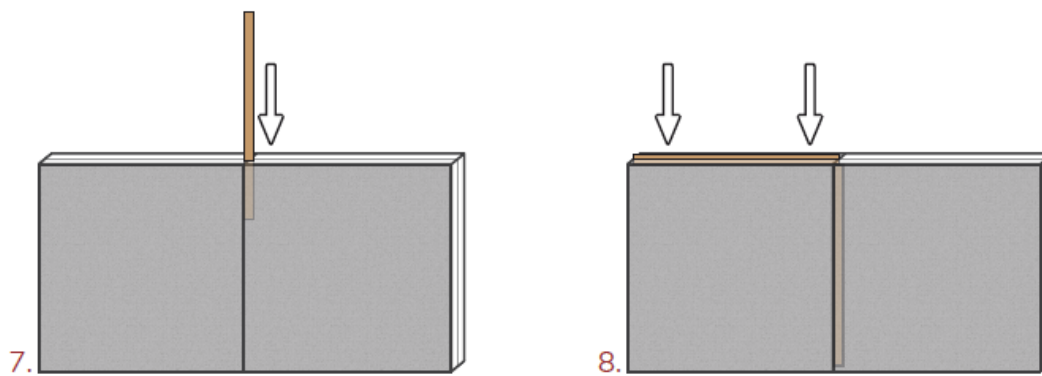
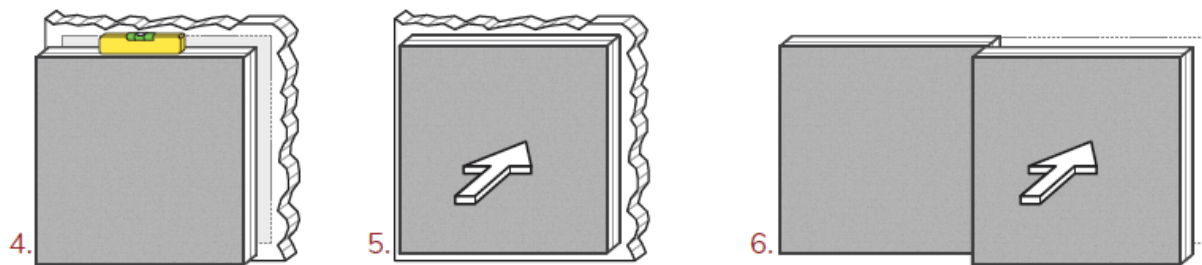
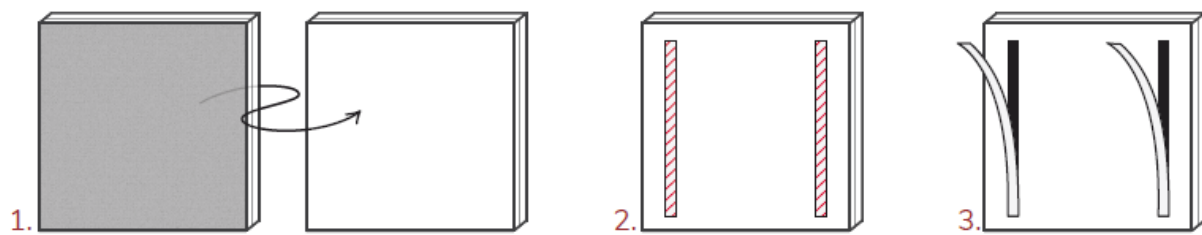
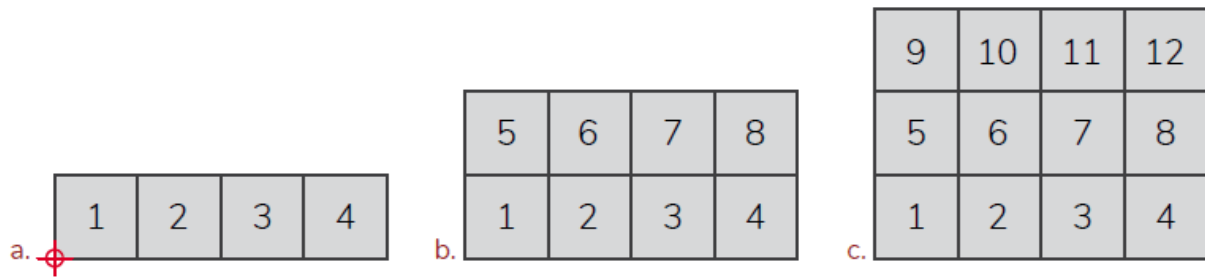


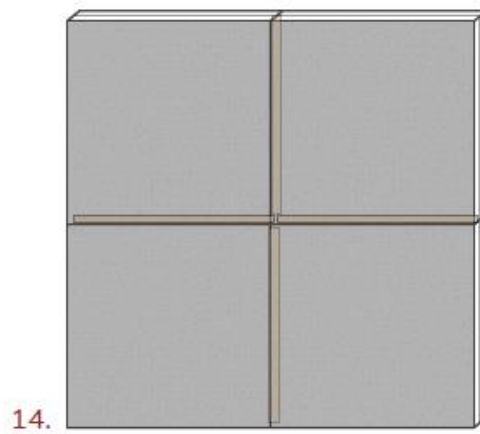
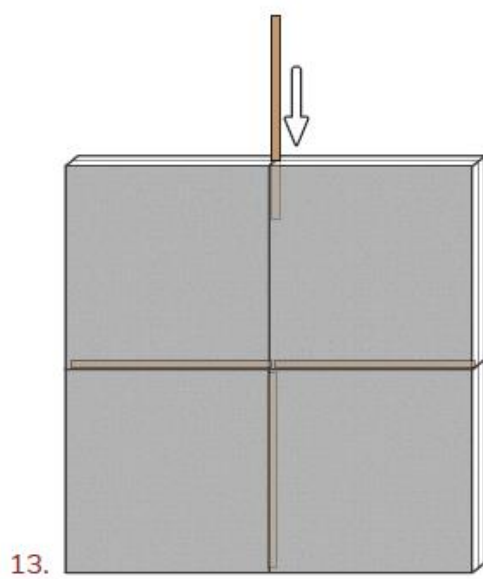
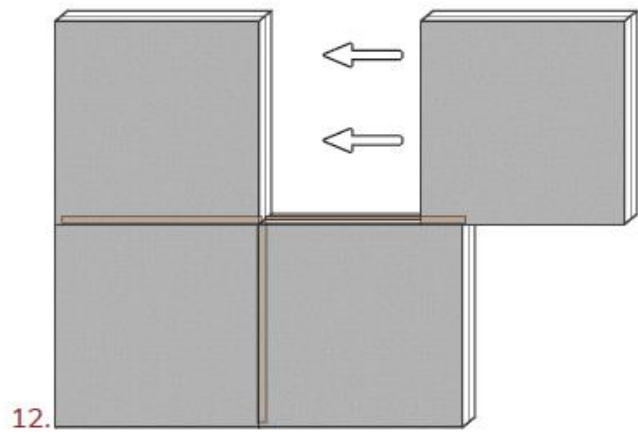
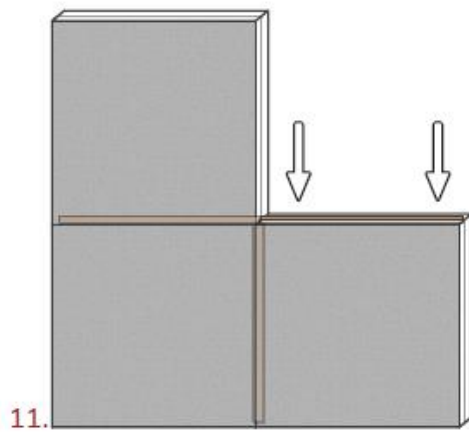
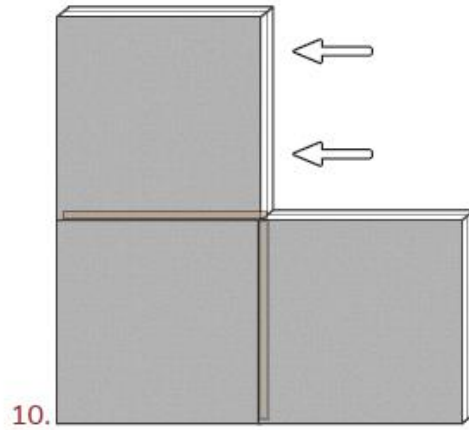
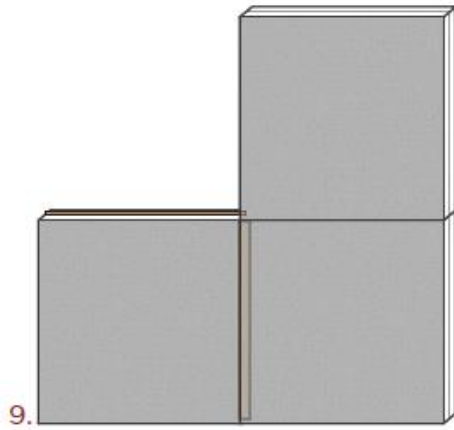
5.1.2. Wall installation – individual panel

1. Clean and dry the surface where the panels are going to be placed, removing any dust or artefact in the wall.
2. Attach the 2 of the included adhesive strips to the panel. It's recommended that adhesive strips are attached following the shape of the panel, close to the edges, at the back of the panel.
3. Place the acoustic panel to the wall in the desired position. Slightly press the panel on the surface where the adhesive strips was attached, but do not apply to much pressure, this could damage the panel. It can be removed and repositioned as many times as necessary.



5.1.3. Wall installation – compositions

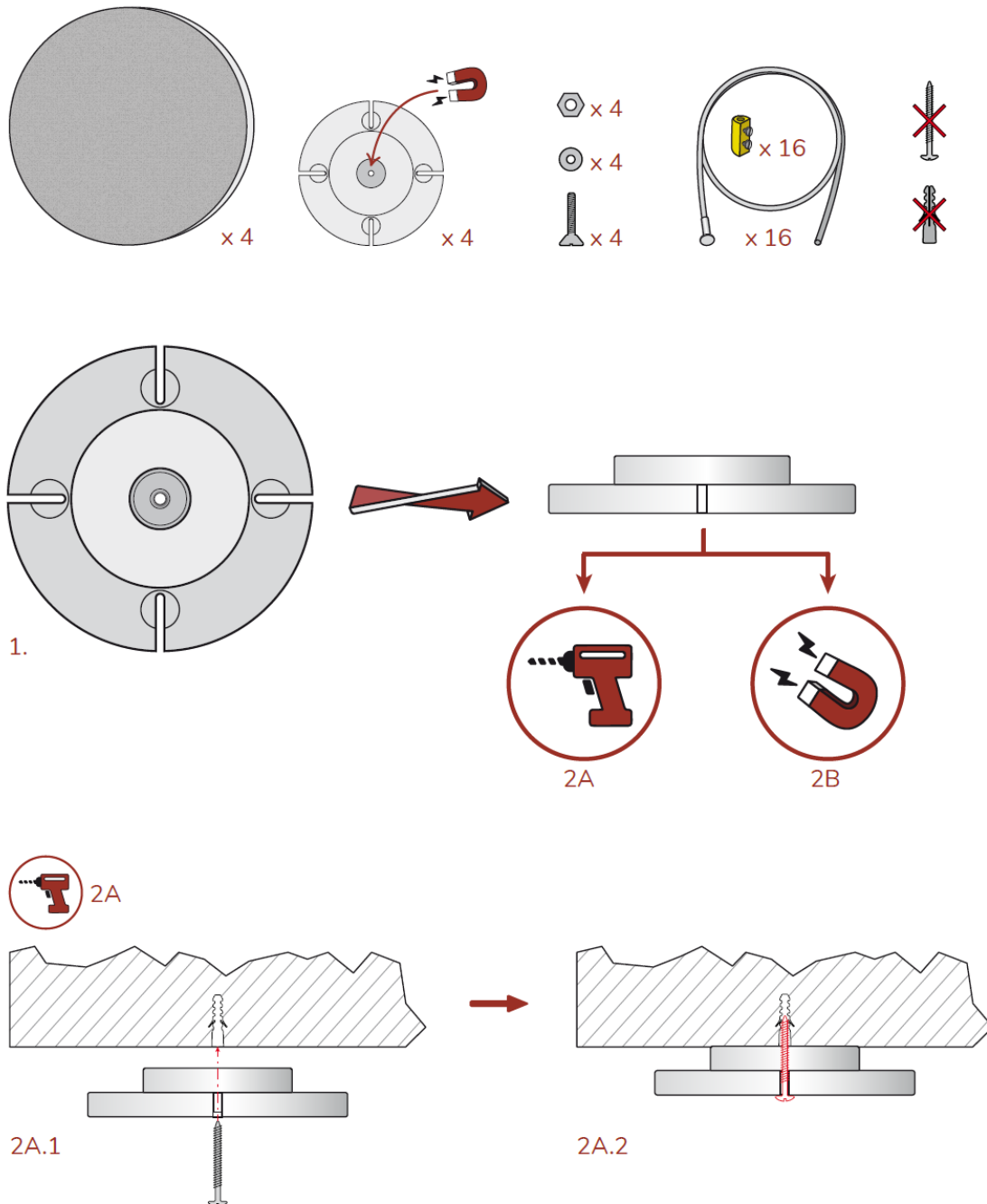




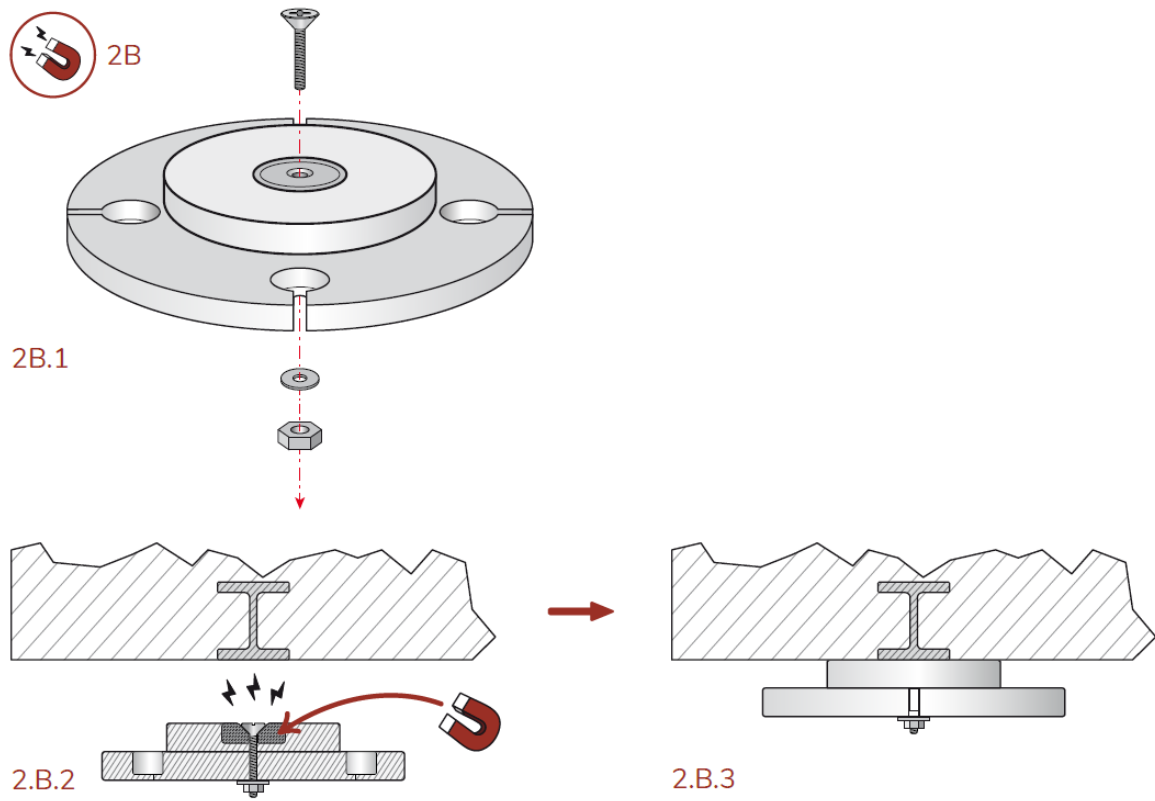
5.2. Ø100x4 panels (ceiling installation)

5.2.1. ceiling bracket installation

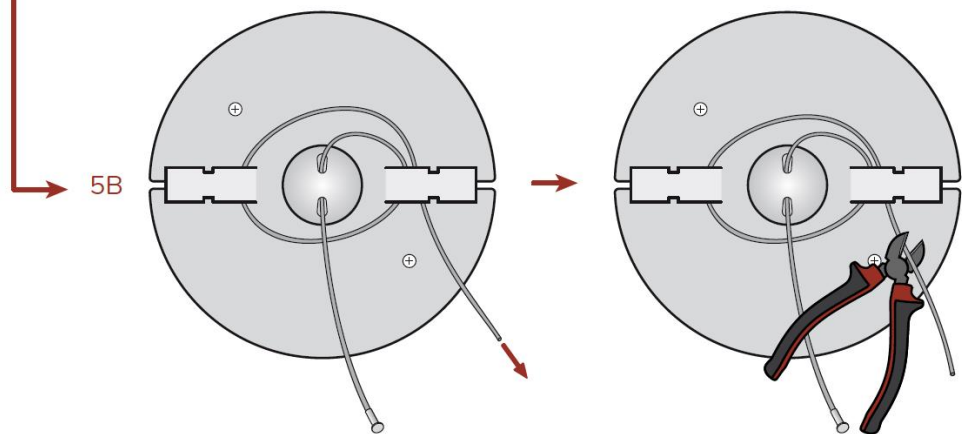
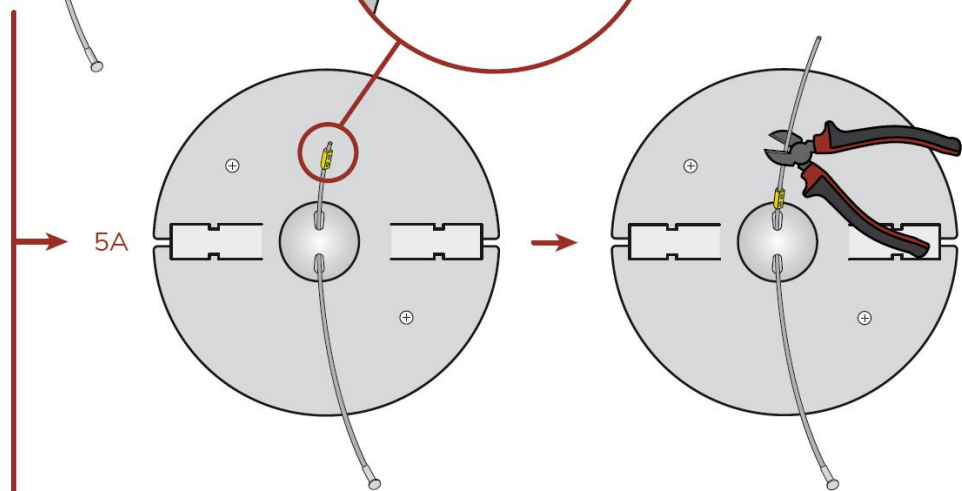
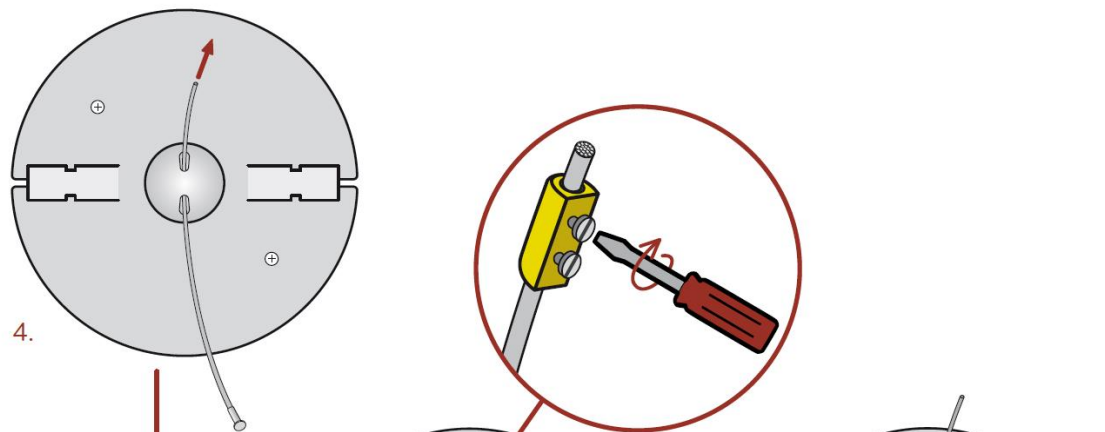
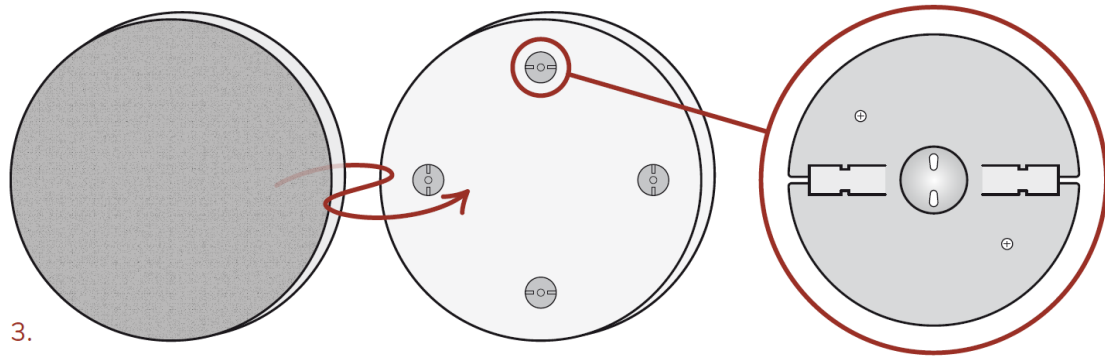
5.2.1.1. Conventional fixing

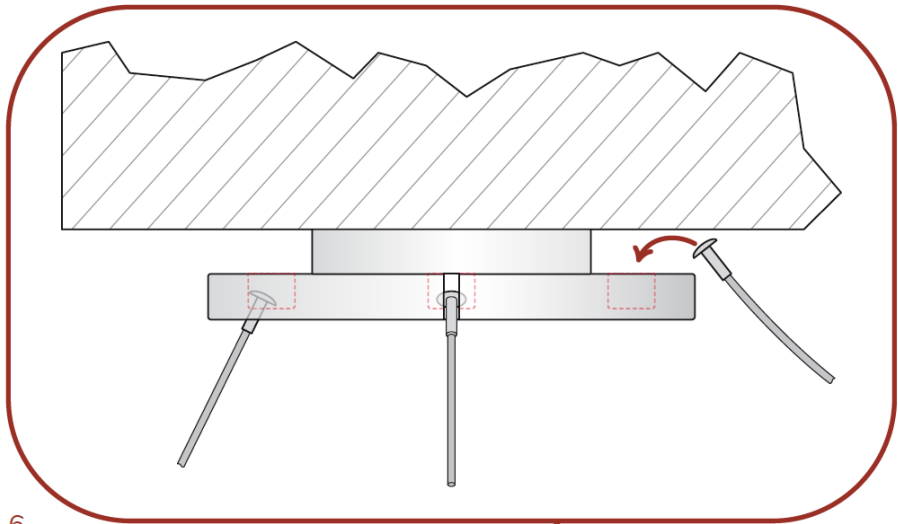


5.2.1.1. Magnetic fixation

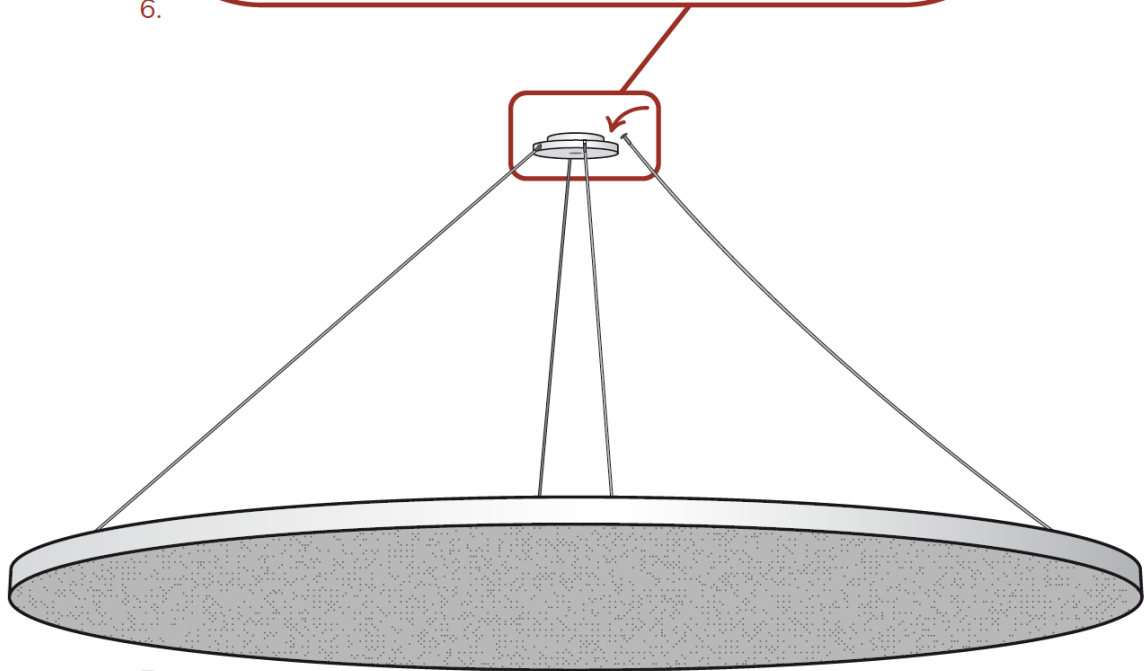


5.2.2. Panel to bracket installation





6.



7.

5.2.3. Ceiling-mounted by using METALDISK15 (optional)

For those installations where it is not possible to drill the ceiling or fix the bracket magnetically, the optional accessory METALDISK15 provides a magnetic surface on which to fix the base.

1. Clean and dry the surface where the METALDISK15 is going to be placed, removing any dust or artefact in the ceiling.
2. Attach the optional accessory METALDISK15 to the ceiling by using use the type of adhesive that is most suitable for the surface where it is going to be.



3. Follow the steps in the [Magnetic fixation](#) section onwards

6. TECHNICAL CHARACTERISTICS

6.1. LEA 602

Absorption performance	Medium and high frequencies
NRC	0,55
Material	PET
Fire Class	EU: Euroclass B-s2, d0 USA: Class A (ASTM-E84) CAN: ULCS102, Flame Spread Rating: 5, Smoke Develop: Class115
Emission level of harmful/toxic substances	VOC French A+ Class (ISO16000)
Skin contact harmful levels	Class 1 (STANDARD 100 by OEKO-TEX®)
Product finish	Points of View Collection
Fixing system	Adhesive strips
Units per box	8 units
Dimensions	595 x 595 x 20mm / 23.4" x 23.4" x 0.8"
Density	80 kg/m ³
Weight / unit area	1600 g/m ²

6.2. LEA 1202

Absorption performance	Medium and high frequencies
NRC	0,55
Material	PET
Fire Class	EU: Euroclass B-s2, d0 USA: Class A (ASTM-E84) CAN: ULCS102, Flame Spread Rating: 5, Smoke Develop: Class115
Emission level of harmful/toxic substances	VOC French A+ Class (ISO16000)
Skin contact harmful levels	Class 1 (STANDARD 100 by OEKO-TEX®)
Product finish	Points of View Collection
Fixing system	Adhesive strips
Units per box	8 units
Dimensions	1190 x 595 x 20mm / 46.8" x 23.4" x 0.8"
Density	80 kg/m ³
Weight / unit area	1600 g/m ²

6.3. LEA 1004

Absorption performance	Medium and high frequencies
NRC	0,61
Material	PET
Fire Class	EU: Euroclass B-s2, d0 USA: Class A (ASTM-E84) CAN: ULCS102, Flame Spread Rating: 5, Smoke Develop: Class115
Emission level of harmful/toxic substances	VOC French A+ Class (ISO16000)
Skin contact harmful levels	Class 1 (STANDARD 100 by OEKO-TEX®)
Product finish	Points of View Collection
Fixing system	Suspended fixation
Cable length	1,2m
Recommended suspended distance	30cm-1m from ceiling
Units per box	4 units
Dimensions	950 x 40mm / 37.4" x 1.6"
Density	80 kg/m ³
Weight / unit area	3200 g/m ²



All product characteristics are subject to variation due to production tolerances. **NEEC AUDIO BARCELONA S.L.** reserves the right to make changes or improvements in the design or manufacturing that may affect these product specifications.

For technical queries contact your supplier, distributor or complete the contact form on our website, in [Support / Technical requests](#).

Motors, 166-168 08038 Barcelona - Spain - (+34) 932238403 | information@ecler.com | www.ecler.com