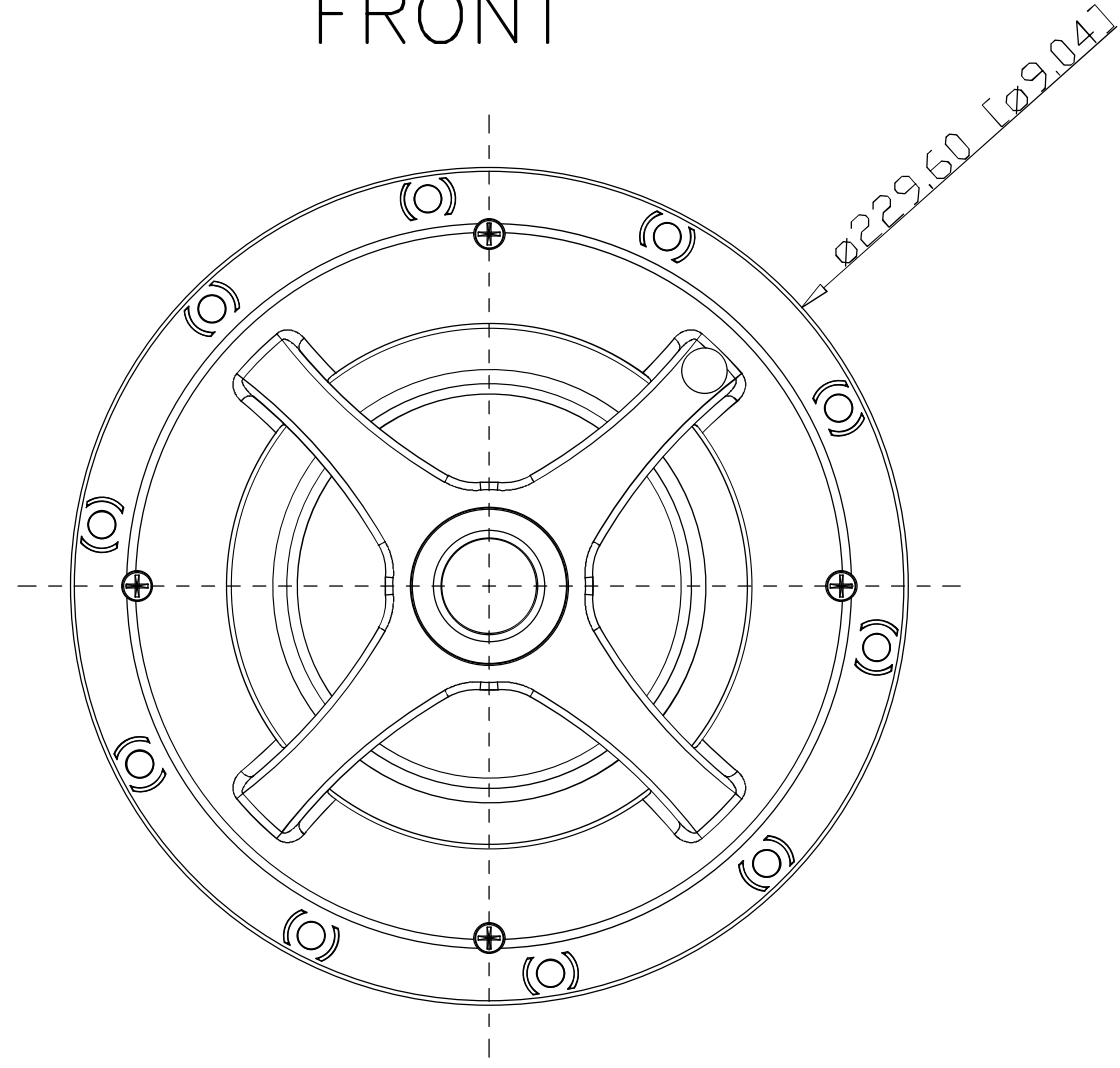
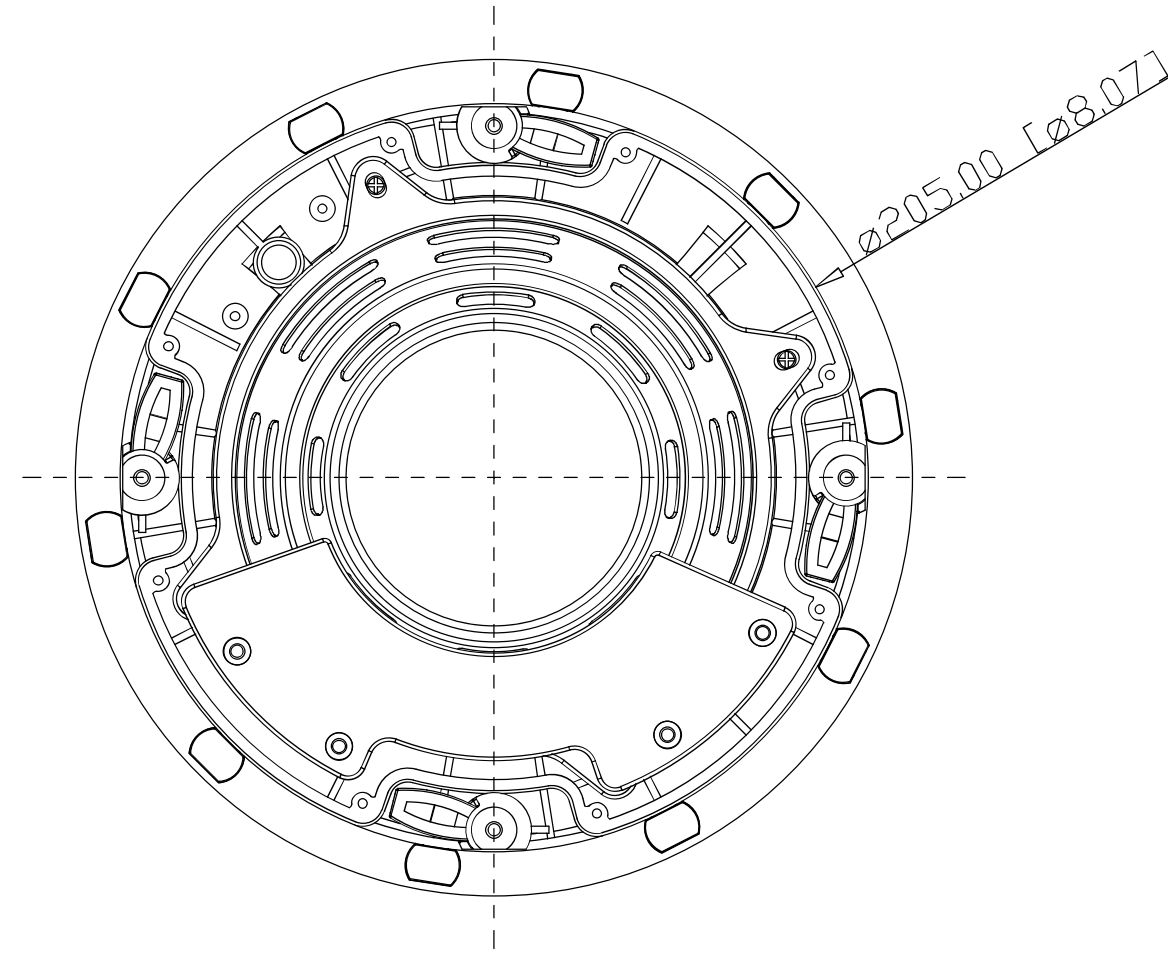


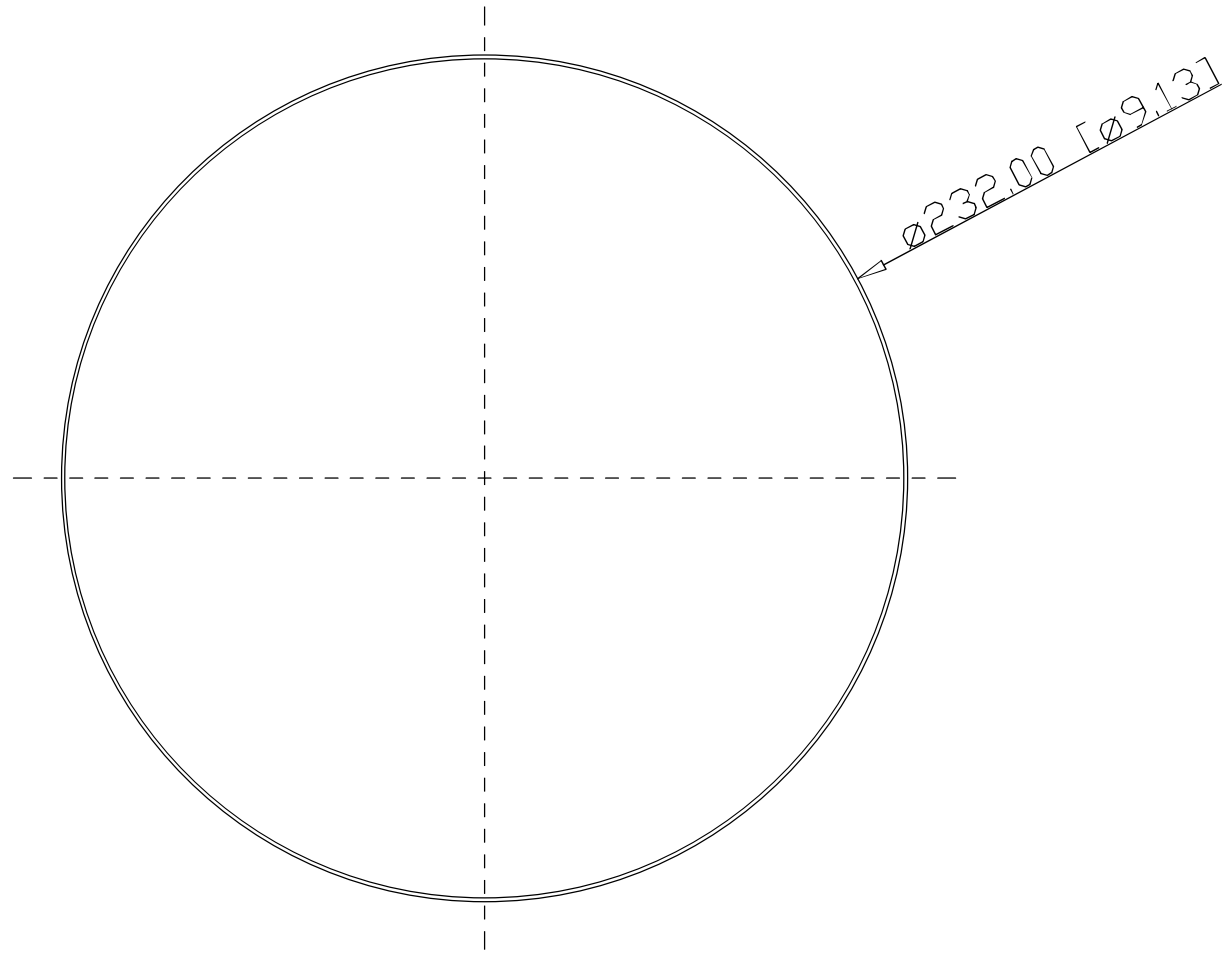
FRONT



BACK/MINIMUM CUTOUT



GRILLE



MOUNTING DEPTH

