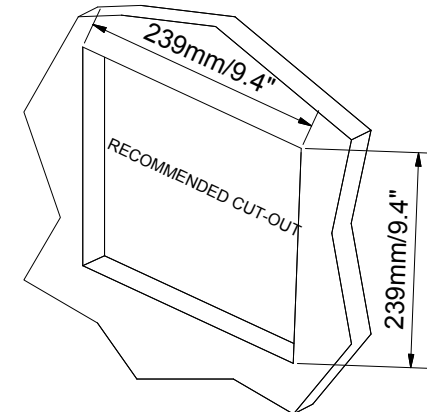
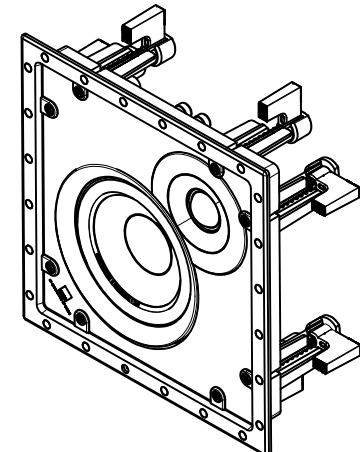
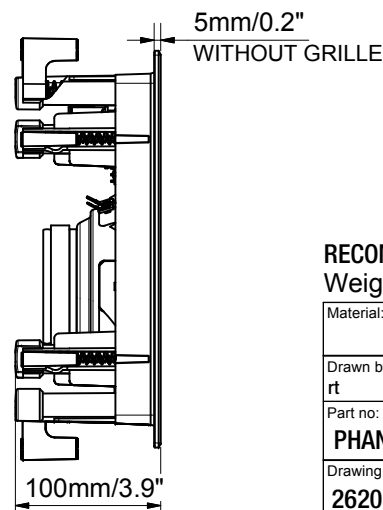
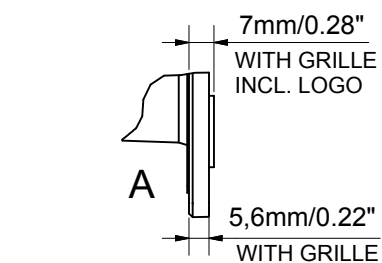
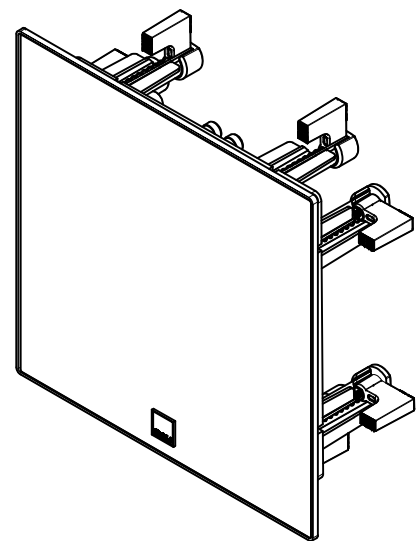
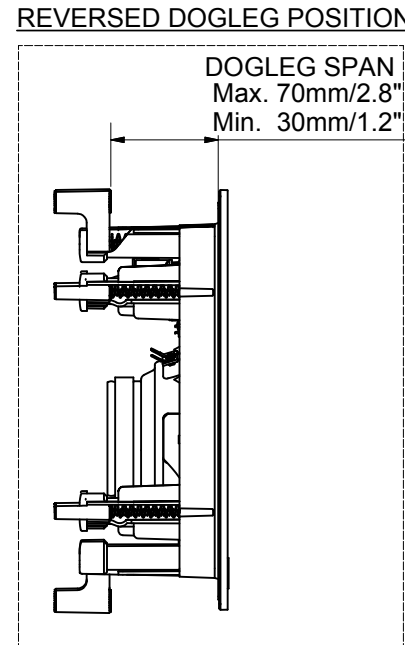
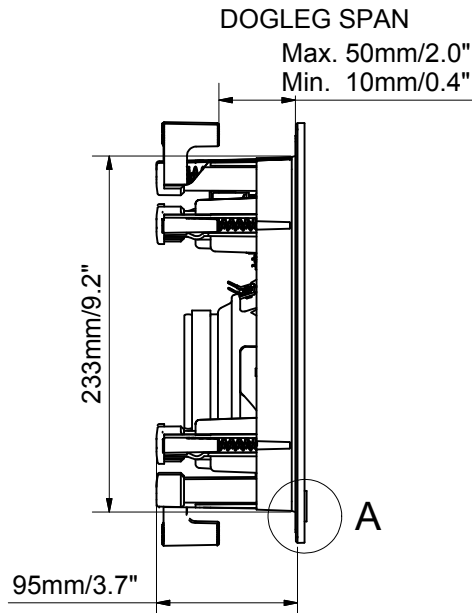
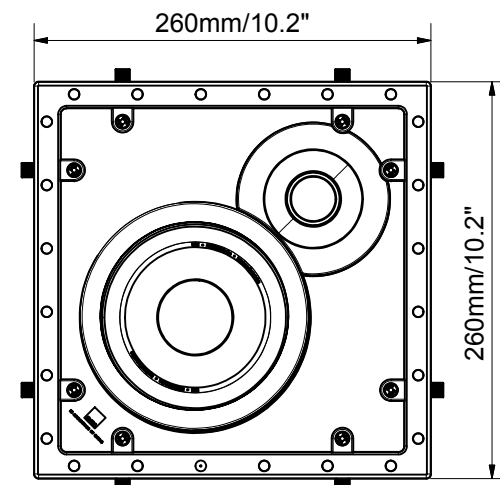
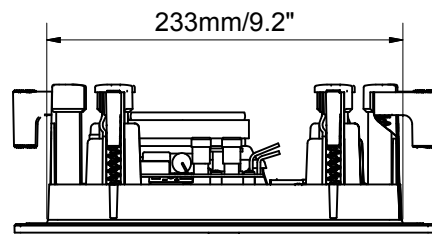
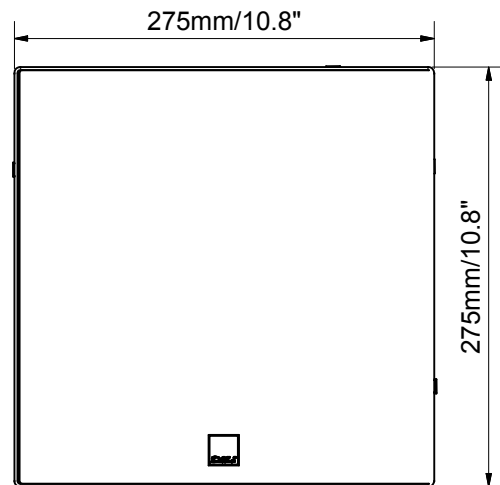


4

3

2

1



**RECOMMENDED WORKING VOLUMEN: 5 - 25 liter**  
**Weight 2.2kg.**

Material:		General tolerances: DS/ISO 2768		From mm:	0,5	3	6	30	120	400	1000
Drawn by : rt		Created : 09-03-2015	Scale:	To mm (incl.):	3	6	30	120	400	1000	2000
Part no: PHANTOM H-50		Revision: A		Fine	± 0,05	± 0,05	± 0,1	± 0,15	± 0,2	± 0,3	± 0,5
Drawing no.: 262055 PHANTOM H-50 Outer Dimension		Sheet: 1 / 2		Medium	± 0,1	± 0,1	± 0,2	± 0,3	± 0,5	± 0,8	± 1,2
		Format: A3		Rough	± 0,2	± 0,3	± 0,5	± 0,8	± 1,2	± 2,0	± 3,0
		10-03-2015		<p><b>DALI A/S</b> Dali Allé 1 DK-9610 Nørager, Denmark Tel. +45 9672 1155 Fax +45 9855 1940</p>							

4

3

2

1