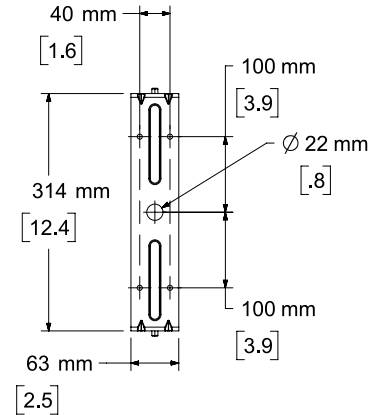
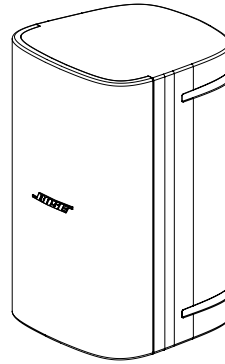
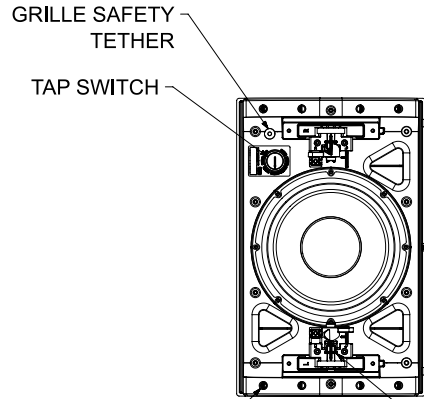


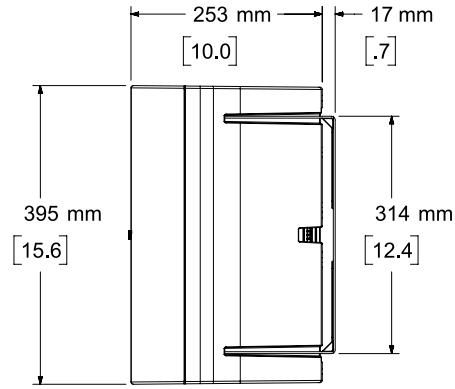
**Top View**



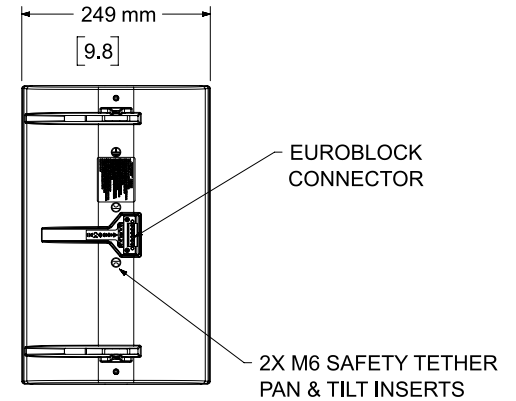
**Rear View**  
BRACKET ONLY



**Front View**  
GRILLE REMOVED FOR CLARITY



**Right View**  
DIMENSIONS APPLY TO BOTH SIDES



**Rear View**  
BRACKET REMOVED FOR CLARITY

- NOTES:  
 1. DIMENSIONS ARE IN MILLIMETERS OVER INCHES  
 2. WEIGHT APPROX 10.3kg [22.8lbs] (SPEAKER ONLY)  
 WEIGHT W/BRACKET 11.3kg [24.9lbs]

	THIRD ANGLE PROJECTION	NOTICE © 2018 BOSE CORPORATION. THIS DRAWING MAY NOT BE COPIED, REPRODUCED, OR USED AS THE BASIS FOR MANUFACTURE OR SALE OF APPARATUS WITHOUT THE PRIOR WRITTEN AUTHORIZATION OF BOSE CORPORATION.			
	UNLESS OTHERWISE SPECIFIED INTERPRET THIS DRAWING PER ASME Y14.5M-1997	DO NOT SCALE DRAWING	CAGE CODE <b>32108</b>	DOCUMENT NUMBER <b>RF801332-MKTCADS</b>	DESCRIPTION <b>DESIGNMAX DM8S LOUDSPEAKER</b>