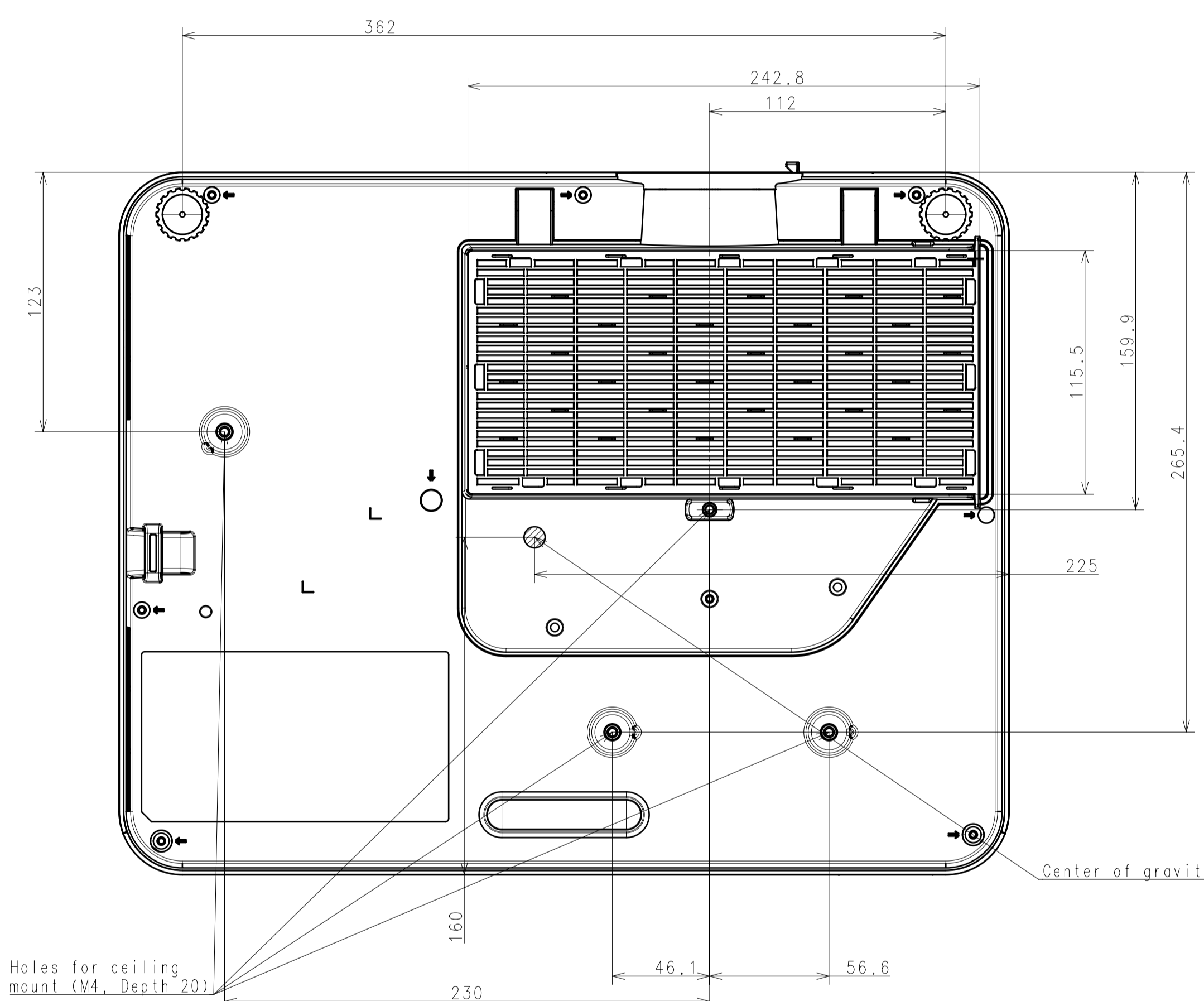
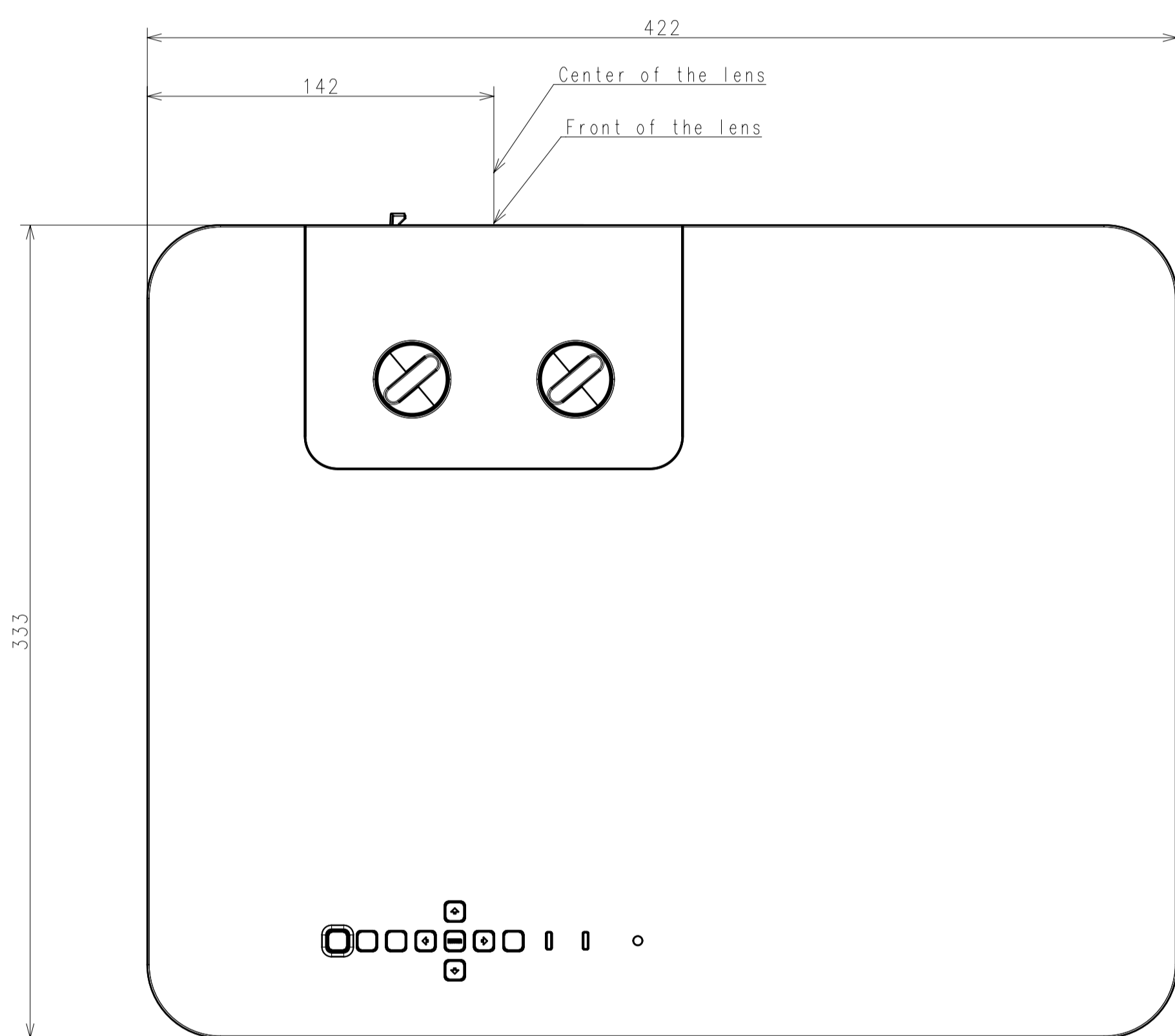
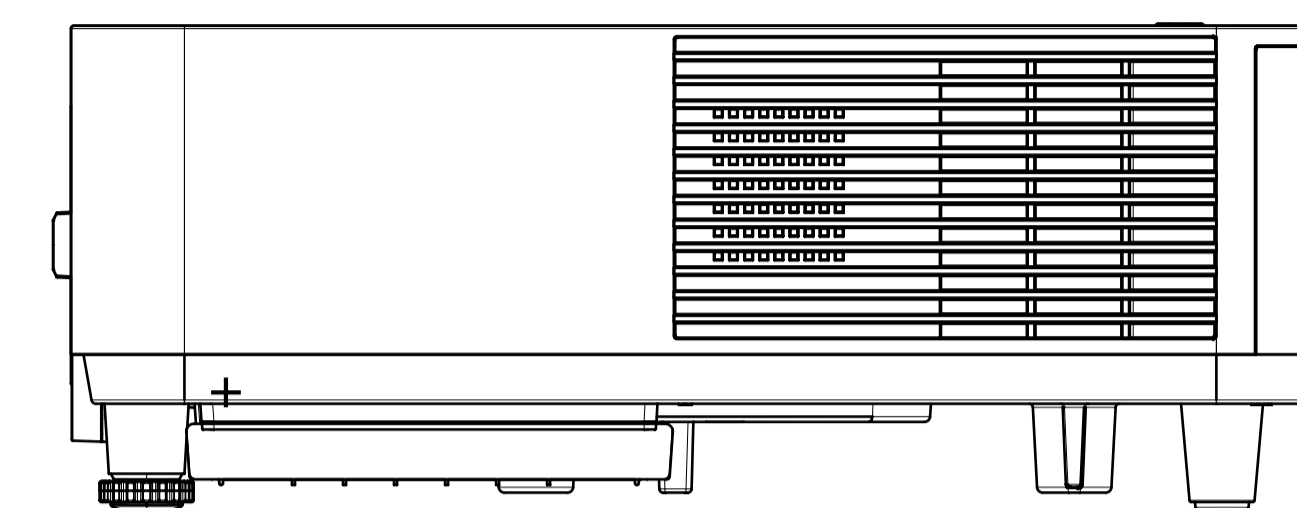
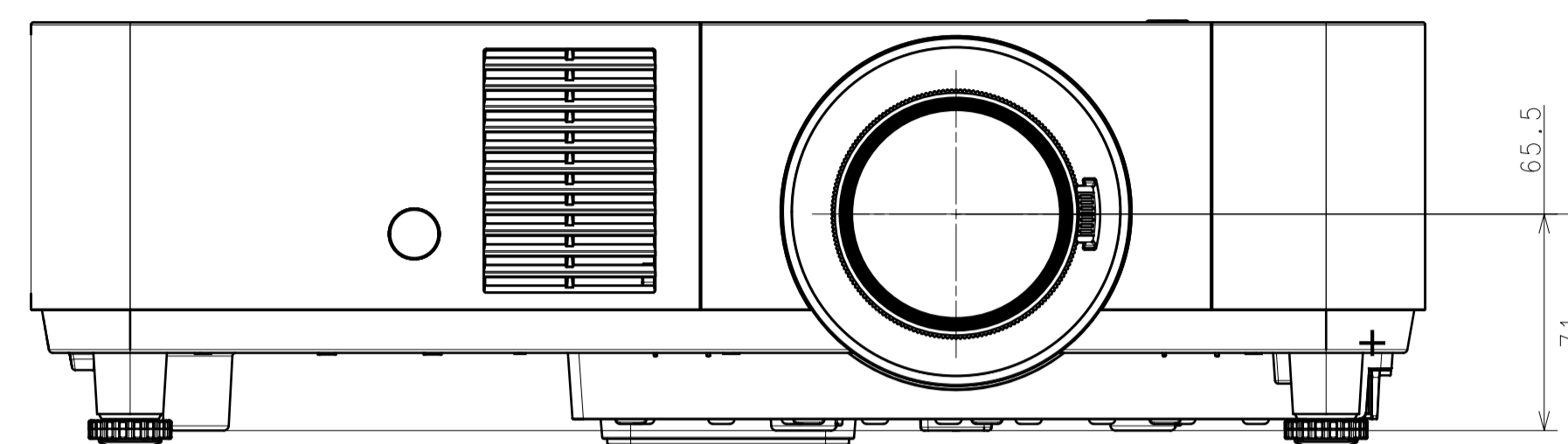
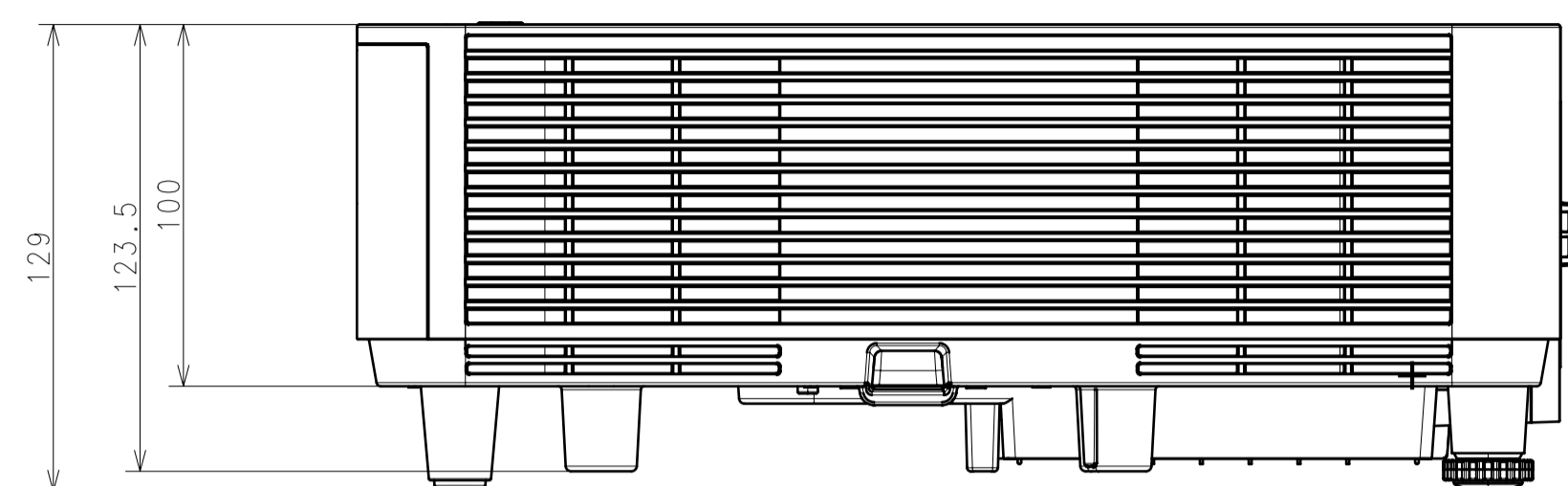
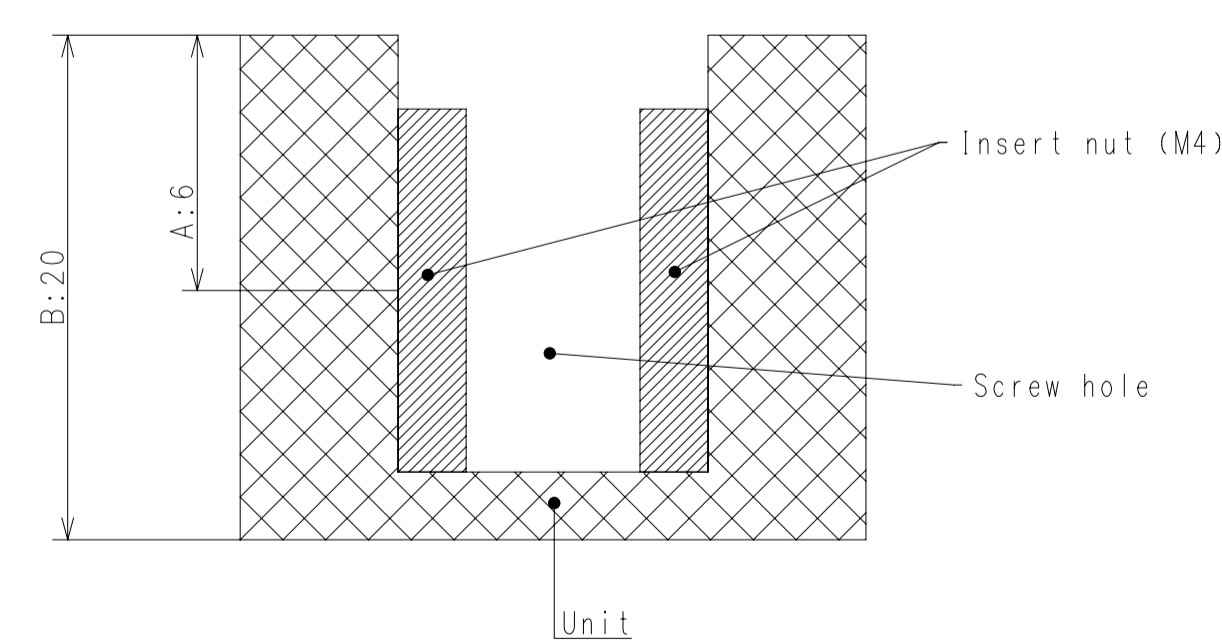


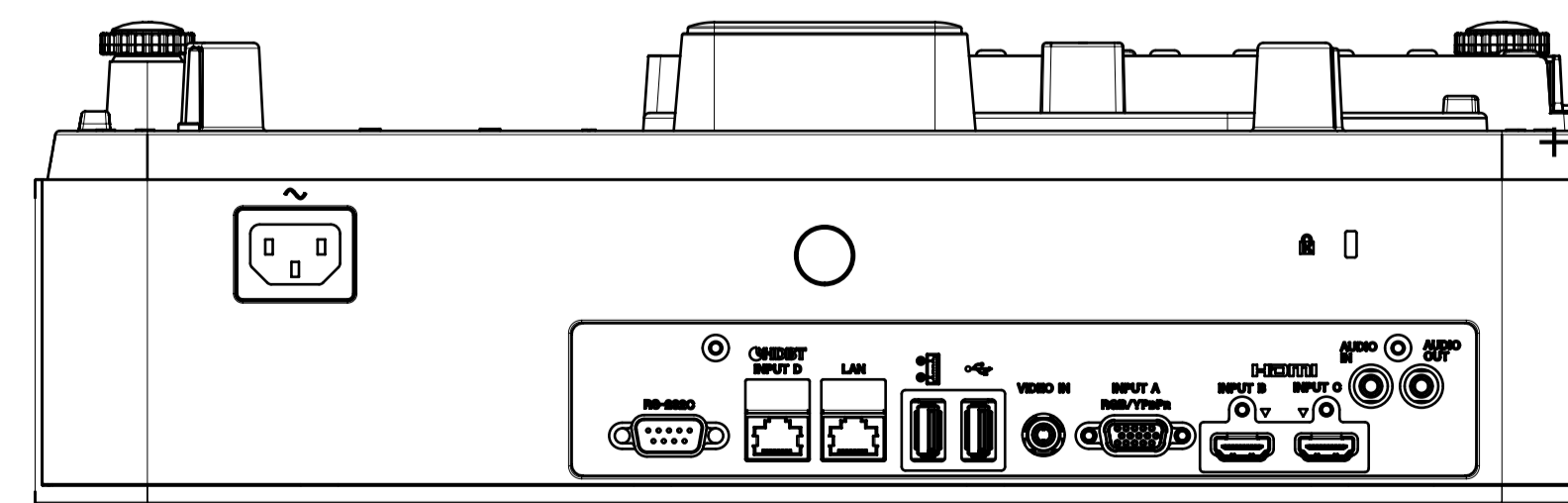
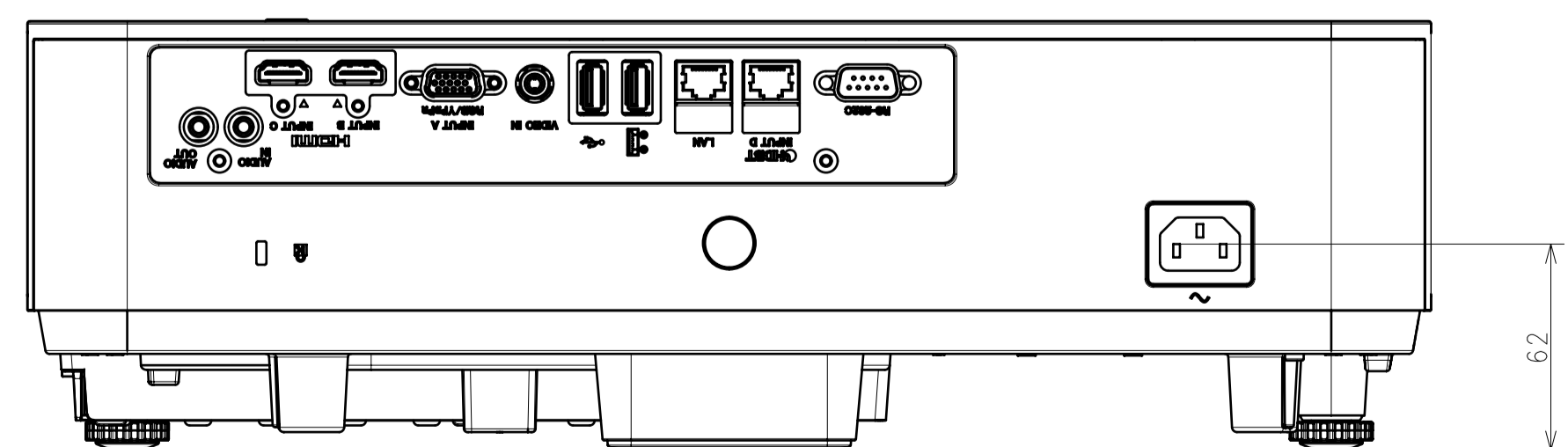
VPL-PHZ61 / PHZ51 OUTLINE mm



Holes for ceiling mount



A: Minimum length of engagement required  
 B: Maximum depth of screw holes  
 Be sure to use screws that are longer than the minimum length of engagement and shorter than the maximum depth of screw holes as shown in the figure.  
 Recommended tightening torque: 1.1 +/- 0.1 N·m



DESCRIPTION(E)	LEGAL OWNER	SCALE
DESCRIPTION(J)	PART NO.	T:1 SHEET/PAGES 2 / 3